



# GRAPHIUM®

## Flexographic Print & Coating Station

Graphium is a print solution that combines the features afforded by multiple traditional press types into a single digital inkjet printing system, from a single source.

Single pass production is the accepted norm in the traditional production of self-adhesive labels, with the process commonly combining the printing of process colours, spot colours, metallics, varnish, as well as die cutting and slitting. Such systems offer the converter the ability to meet a wide range of market demands as well as benefitting from the efficiency of completing the job in a single machine.

## Designed for ease of operation & low maintenance

Adding flexographic print stations into Graphium serves to enhance the versatility of digital print as well as adding print and embellishment that today can only be delivered by analogue technology.

Flexographic print positioned prior to digital print enables a primer to be applied to substrates before digital printing, which can serve to widen the range of materials that can be printed, but also it can be used to enhance both print quality and ink adhesion.

Flexographic print stations positioned after digital print can either be used to match exact pantone or metallic colours or to apply a varnish.

Graphium's flexographic print station boasts the latest high performance features to ensure set-up time and waste are kept to a minimum. The innovative design and method of operation of the flexographic print station ensures ease of operation and low maintenance, even for those with little experience of analogue printing technologies.

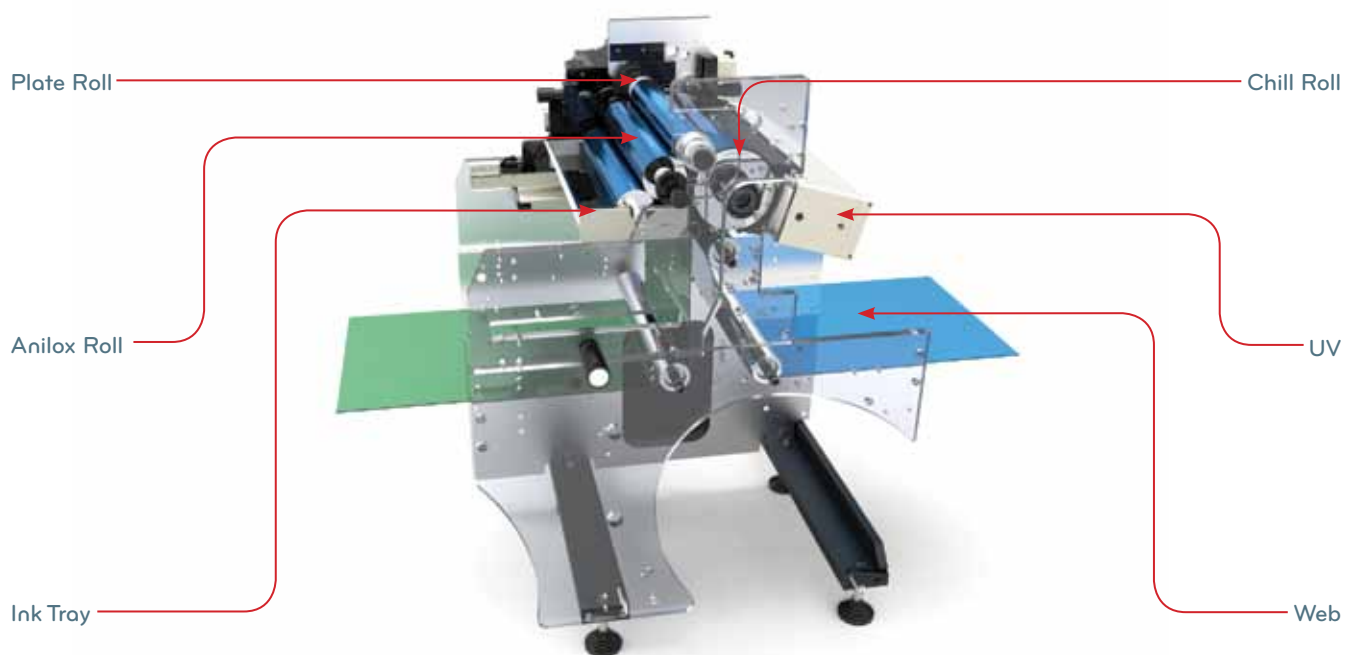


## Features & Benefits

Feature	Benefit
Pit stop colour change	Change colours in under 70s
Pre-register	Reduced material waste
Set & forget impression	Reduced operator skill
Chilled impression	Wider range of substrates
Modular system	Easily upgradable
UniPrint technology	High quality print

## Options & Application

Feature	Benefit
Plate rolls (8" – 24" repeat)	Registered print of spot colours
Tint roll	Continuous coating and varnishing
Anilox roll	Controls colour density
UV or irAIR drying	Print with UV or water-based inks
Cold foil	Embellish with foils and holograms
UV Lamination	Encapsulate and protect printed surface
Turn bar	Print on reverse side
Delam Relam	Print on the adhesive



Contact one of our Graphium specialists  
to find out more email: [graphium@ffe.co.uk](mailto:graphium@ffe.co.uk)